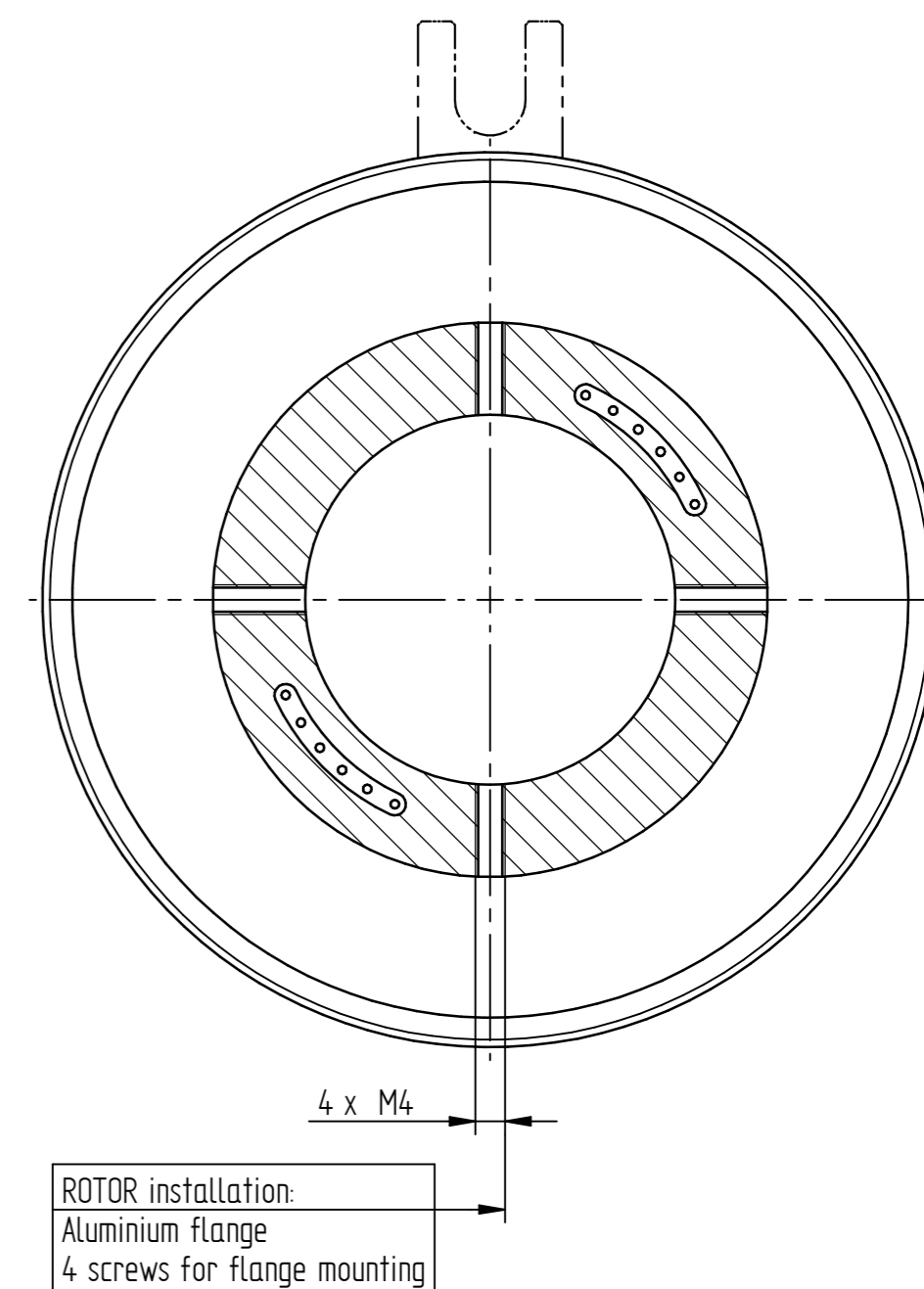
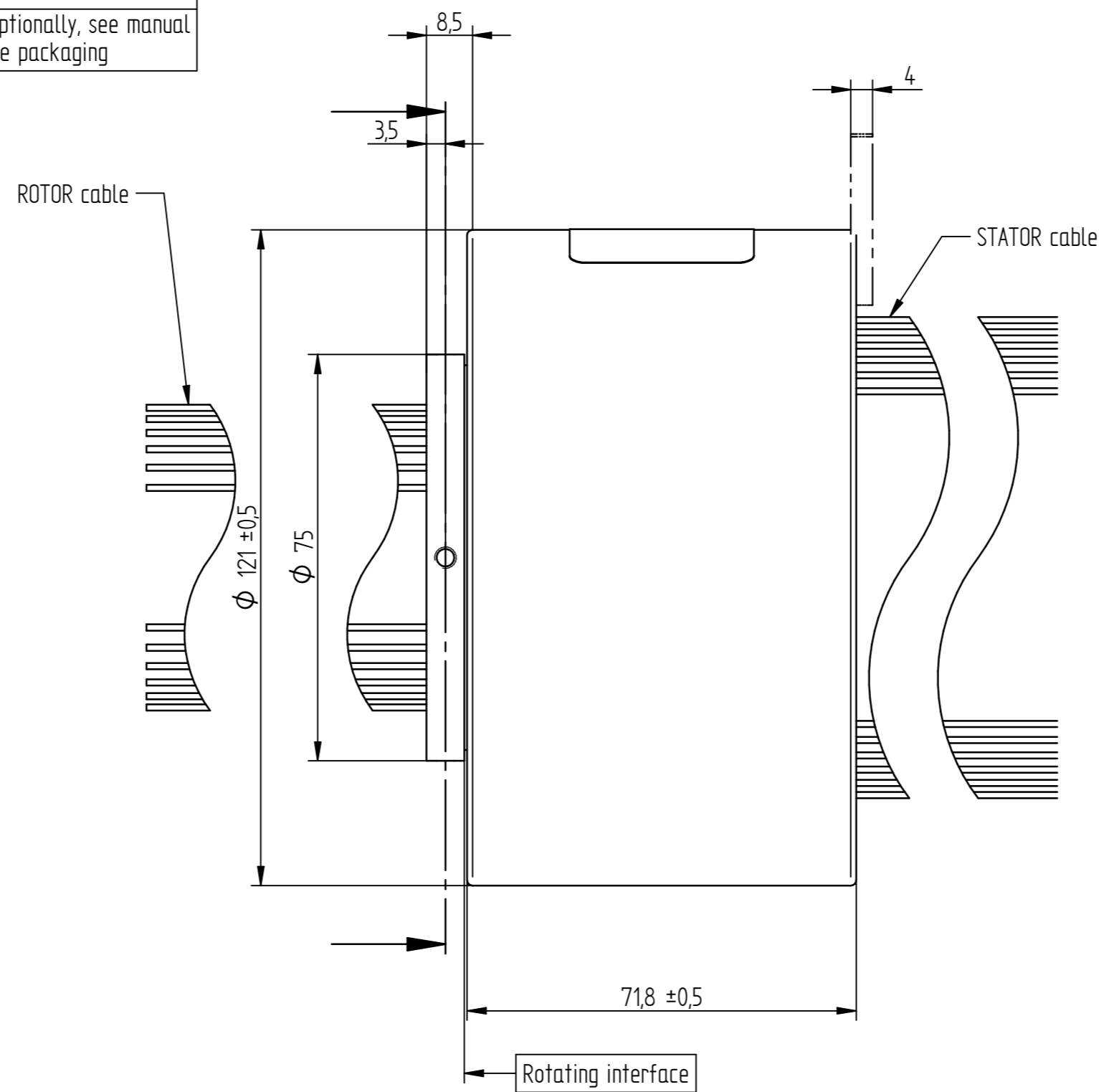


STATOR installation:
 Anti-rotation tab to be mounted optionally, see manual
 Anti-rotation tab is enclosed in the packaging



ROTOR installation:
 Aluminium flange
 4 screws for flange mounting

Wiring diagramm see sheet 2

Die Montageanleitung 7BC000000 wird elektronisch bereitgestellt.
 The assembly instruction 7BC000000 is provided in electronic format.

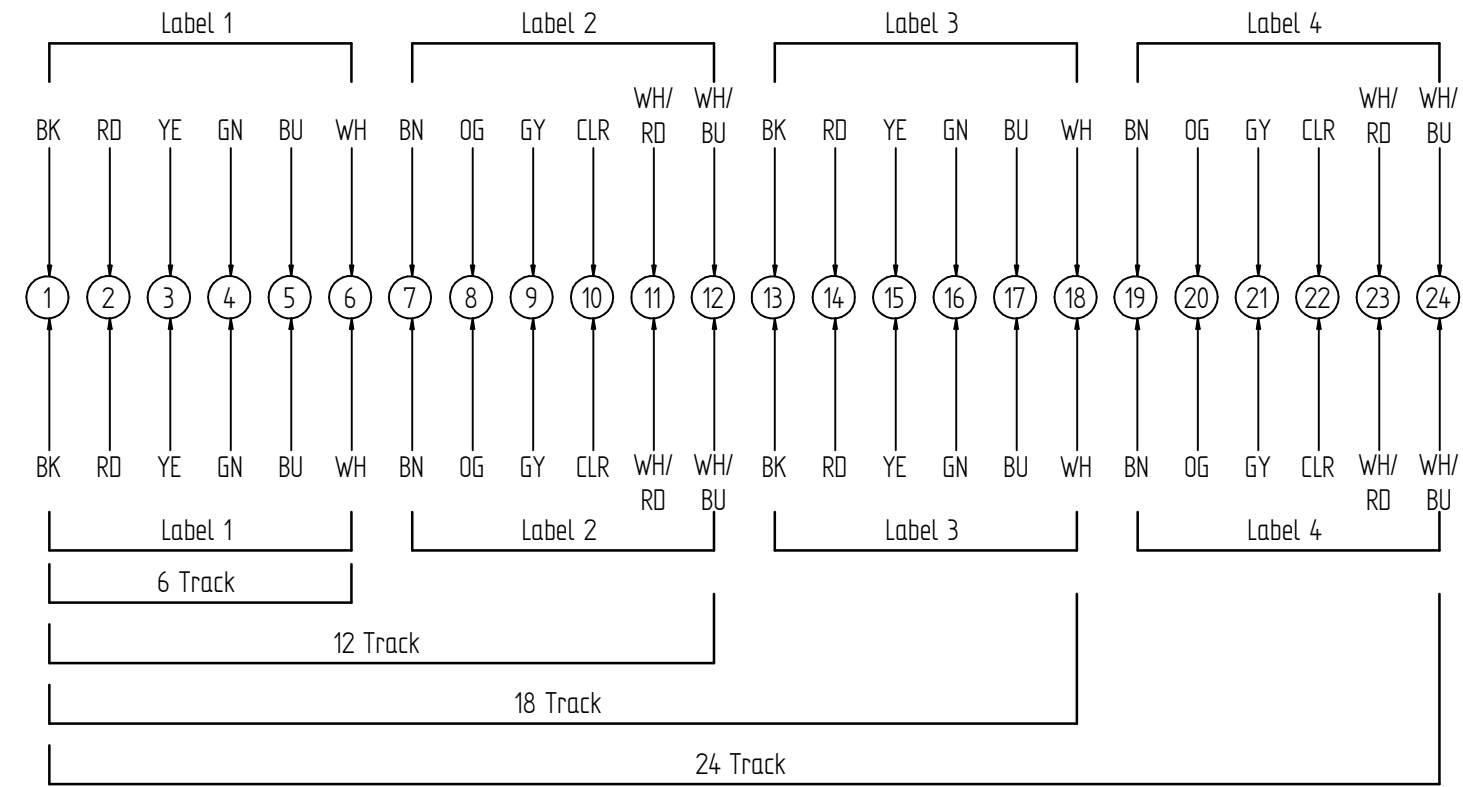
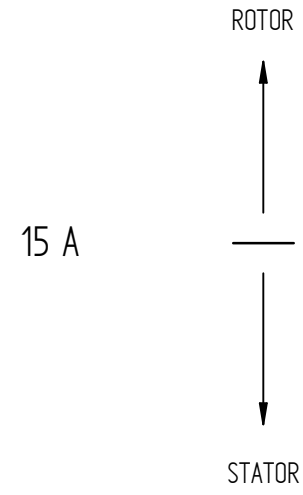
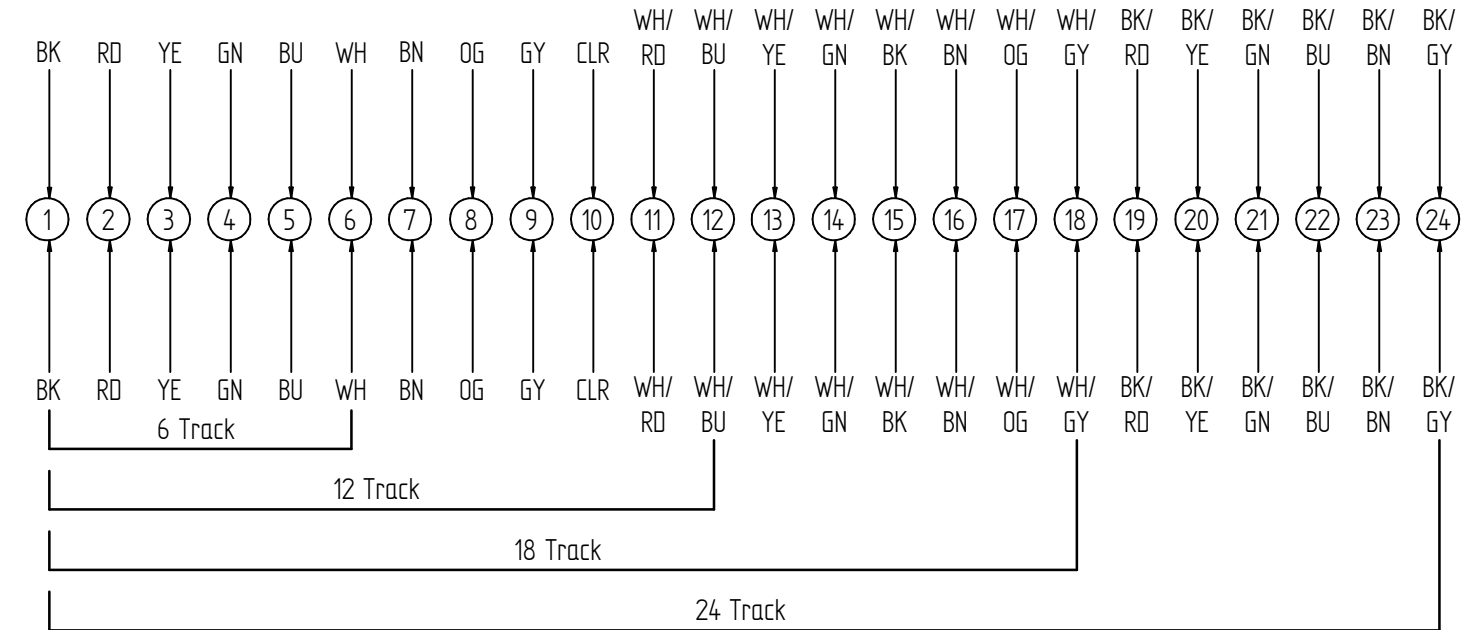
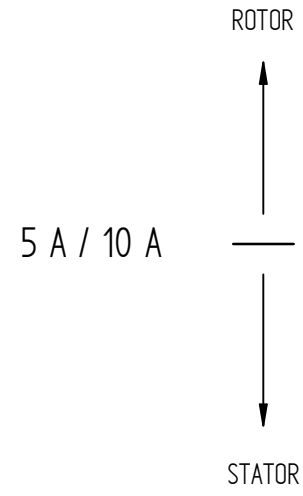
ELECTRONIC & ELECTRIC		MECHANICAL	
Rating Voltage	250 V AC / DC	Working Speed	300 rpm max.
		Inner Diameter	Ø 50,0
		Contact Material	Precious Metals
Current	5 A / Signal	Lead Wire Length	STATOR: 250 mm ROTOR: 250 mm
Track	12	/	/
Insulation Resistance	500 MΩ @ 500 V DC	/	/
ENVIRONMENT		REMARKS	
Working Temperature	-20 °C to +60 °C	Application	see Manual
Working Humidity	≤ 60 % RH	Other	/
Protection Class	IP50	Note:	/

10	1	70C000022	Maverick Schleifring 12-Weg 5A		
Pos.	Anz.	Mat.Nr.	Kurztext	GroÙe/Abmessung	Werkstoff
1	2	3	4	5	6
DIN ISO 5456-2	TOLERANCES	DIN ISO 13715	+0,3 +0,1	-0,1 -0,3	FINISH
	ISO 2768 - mH				MATERIAL
STANDARDS	ISO 8015 ISO 14405	DWG NO	7KC000022	REVISION	A1
				FIRST RELEASE	23.12.2021
				DESIGNER	CREITER 18.11.2022
				APPROVED	AGREPPMAYR 21.11.2022
				CHANGE NO	200120151
				DESCRIPTION	Maverick Slip Ring 12-Track 5A
				DOCUMENT TYPE	Kundenzeichnung
				SIZE/DIM	SHEET 1/2
SCHLEIFRING			Draft: 1000954689/D02/000/02		Modell: 1000954689/D00/000/02

All parts and components shown in this document are originally created and developed at Schleifring GmbH, Germany and a private or a civil application. Any customization has no impact on origin and export classification.

All drawings are the property of Schleifring GmbH/ Germany and are to be treated as confidential. The reproduction, distribution and utilization as well as the communication of its contents to others without express authorization is prohibited. Offenders will be held liable for the payment of damages. All rights reserved in the event of the grant of a patent, utility model or design.

Cable Table	
Current	Cable
5 A / Signal	AWG17
10 A	
15 A	AWG14



DIN ISO 5456-2 	TOLERANCES ISO 2768 - mH	DIN ISO 13715 	FINISH MATERIAL	SCALE 1:1	REFERENCE 2
STANDARDS ISO 8015 ISO 14405		DWG NO 7KC000022	REVISION A1	WEIGHT 0,001 kg	REFERENCE 1
Beschreibung Maverick Schleifring 12-Weg 5A DESCRIPTION Maverick Slip Ring 12-Track 5A			CHANGE NO 200120151	FIRST RELEASE 23.12.2021	
			APPROVED AGREPPMAYR	DESIGNER CREITER 18.11.2022	
SIZE/DIM.			DOCUMENT TYPE Kundenzeichnung		SHEET 2/2